

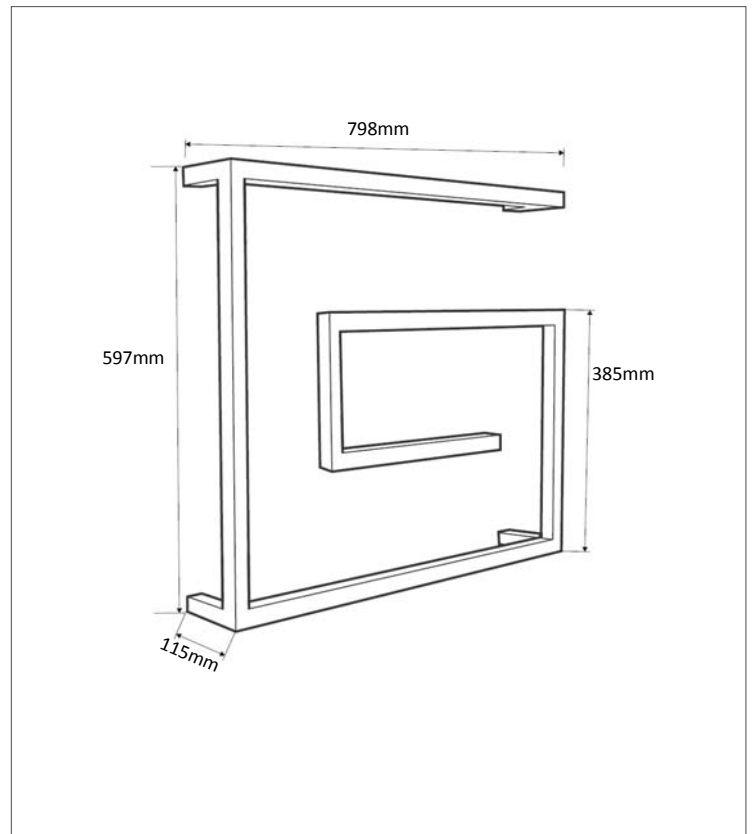
## Designer 'G' RAIL - 4 bar SQUARE

Product code : HTR-4HS6080

798 (w) x 597(h) x 115(d) mm

### Features:

- 4 bars
- Hand polished mirror finish
- High grade stainless steel
- Right hand cable entry only
- Polished stainless steel end caps
- Concealed wiring kit included



Note: Manufacturing tolerances could cause variances of  $\pm 5$ mm.

### Additional Information

- 60 watts
- 230-240Volts, 50Hz single phase
- Class 1 appliance – requires an earth connection
- This rail should be mounted vertically with the cord exiting from the base.
- It should be positioned at least 600mm above the floor.
- Ingress Protection Rating: IP34 – Splashproof